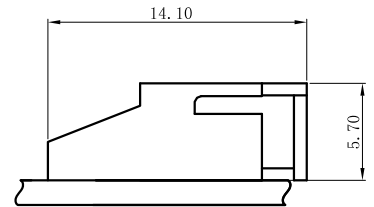
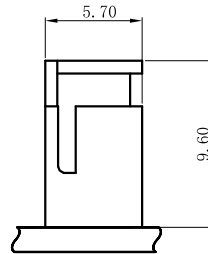
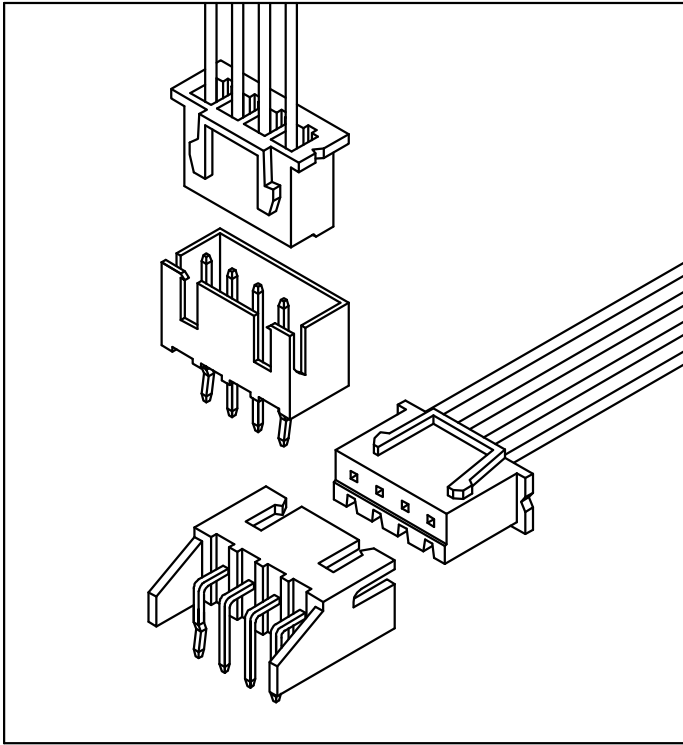


**SPECIFICATIONS:**

Voltage Rating: 250V AC/DC  
 Current Rating: 3A AC/DC  
 Withstanding Voltage: 1000V AC/Minute  
 Temperature Range: -25°C~+85°C  
 Insulation Resistance: 1000MΩ Min.  
 Contact Resistance: 10mΩ Max.  
 Applicable Wire Range: AWG#22~28.

**Assembly Layout:**



**A2501HF-NP-N0NA**

2.50mm Pitch Single Row Housing

Reference Informations:

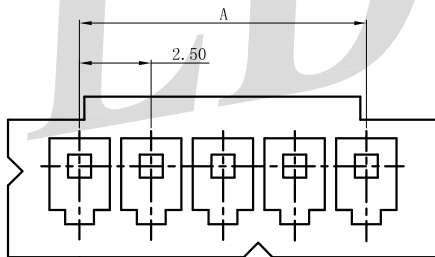
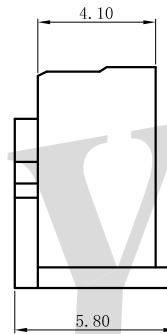
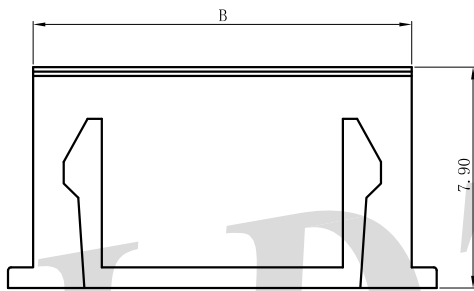
\*Material:

Housing: PA66 UL94V-0/Natural

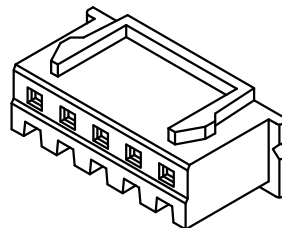
\*Suitable LDZY A2501 series Terminal

\*Mates with LDZY A2501 series Wafer

Ordering Information & Dimensions



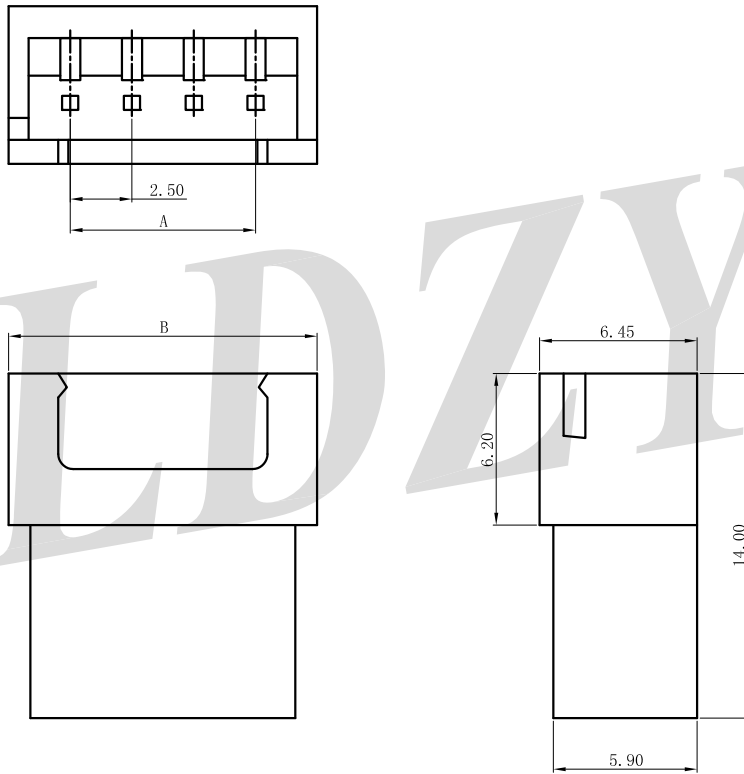
Circuit 1



Poles	Dimensions (mm)	
	A	B
02	2.50	5.70
03	5.00	8.20
04	7.50	10.70
05	10.00	13.20
06	12.50	15.70
07	15.00	18.20
08	17.50	20.70
09	20.00	23.20
10	22.50	25.70
11	25.00	28.20
12	27.50	30.70
13	30.00	33.20
14	32.50	35.70
15	35.00	38.20
16	37.50	40.70
17	40.00	43.20
18	42.50	45.70
19	45.00	48.20
20	47.50	50.70

## A2501HM-NP-N0NA

### 2.50mm Pitch Single Row Housing



**Reference Informations:**

\*Material:

Housing: PA66 UL94V-0/Natural

\*Suitable LDZY A2501 series Terminal

\*Mates with LDZY A2501 Female Housing

**Ordering Information & Dimensions**

Poles	Dimensions (mm)	
	A	B
02	2.50	7.50
03	5.00	10.00
04	7.50	12.50
05	10.00	15.00
06	12.50	17.50
07	15.00	20.00
08	17.50	22.50
09	20.00	25.00
10	22.50	27.50
11	25.00	30.00
12	27.50	32.50
13	30.00	35.00
14	32.50	37.50
15	35.00	40.00
16	37.50	42.50
17	40.00	45.00
18	42.50	47.50
19	45.00	50.00
20	47.50	52.50

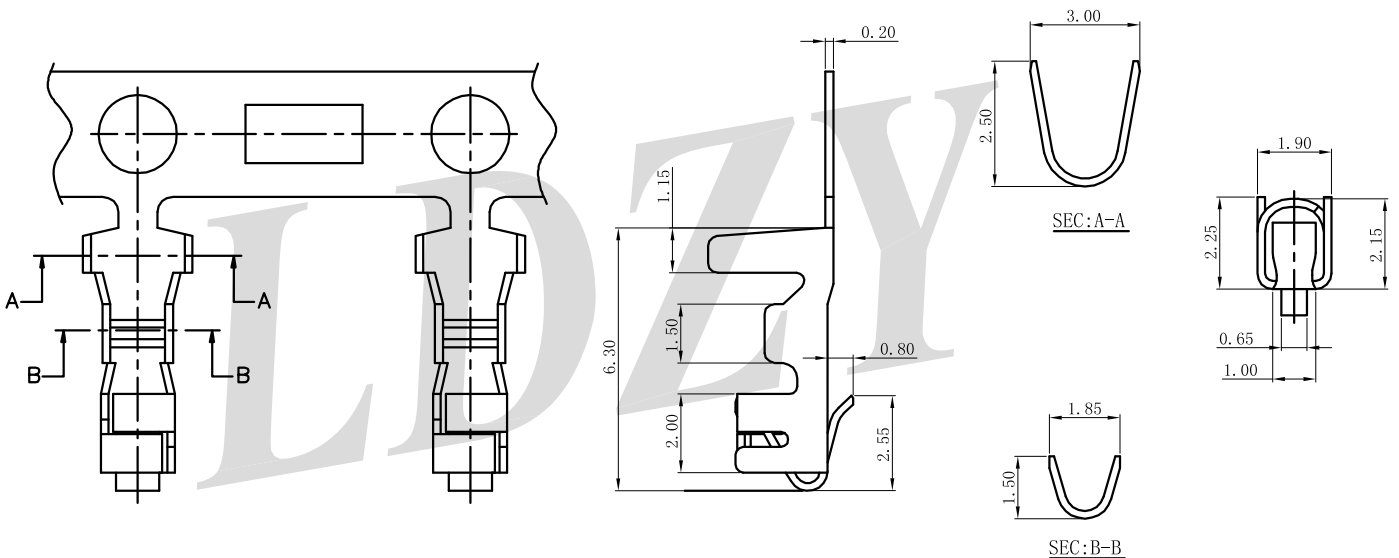
## A2500TF-PT1

### 2.50mm Pitch Terminal

**Reference Informations:**

\*Material: Phosphor Bronze/Tin-plated

\*Mates with LDZY A2501 series Housing



**Ordering Information & Specifications**

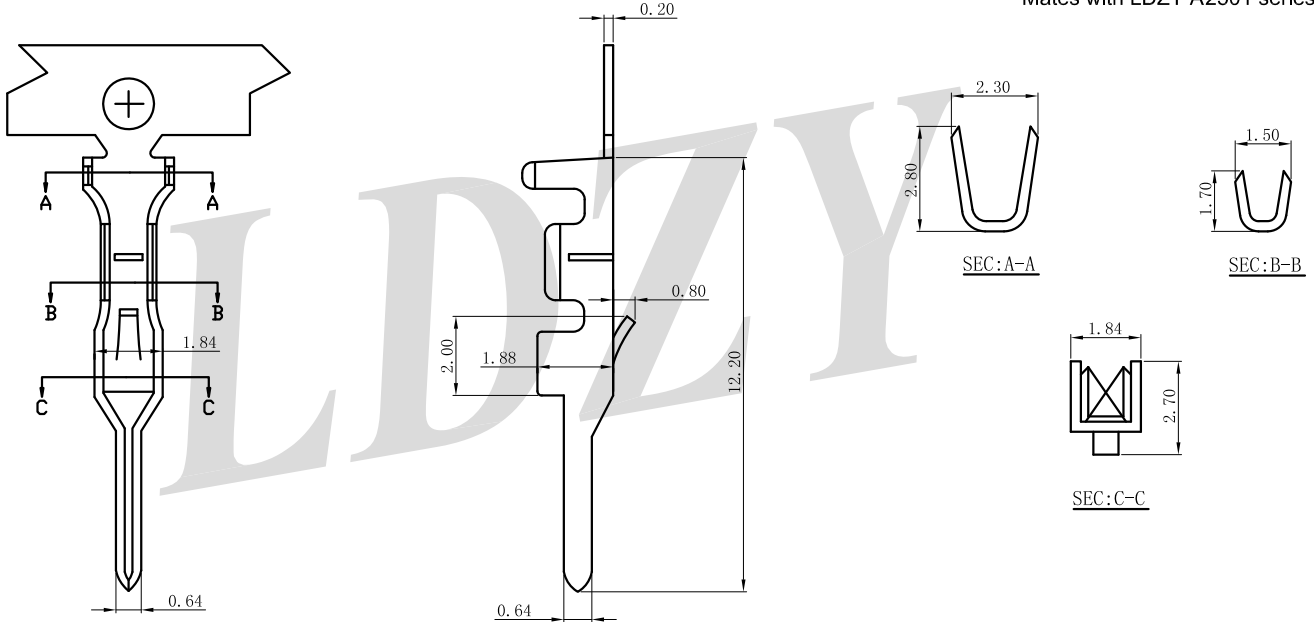
Part No	Wire Range	Insulation O.D.	Material	Finish	Qty/reel
A2501TF-PT1	AWG#22-#28	1.9mm(max)	Phosphor Bronze	Tin-plated	6,000pcs

## A2501TM-PT1

### 2.50mm Pitch Terminal

**Reference Informations:**

- \*Material: Phosphor Bronze/Tin-plated
- \*Mates with LDZY A2501 series Housing



**Ordering Information & Specifications**

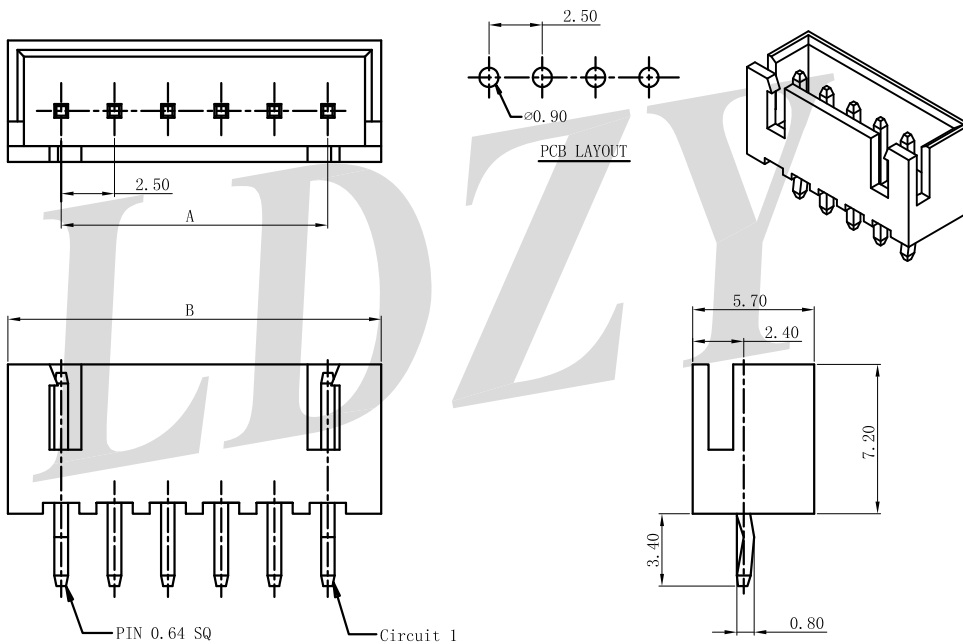
Part No	Wire Range	Insulation O.D.	Material	Finish	Qty/reel
A2501TM-PT1	AWG#22-#26	1.90mm(max)	Phosphor Bronze	Tin-plated	10,000pcs

## A2501WV-NP-N0NAT

### 2.50mm Pitch 180° Single Row Wafer

**Reference Informations:**

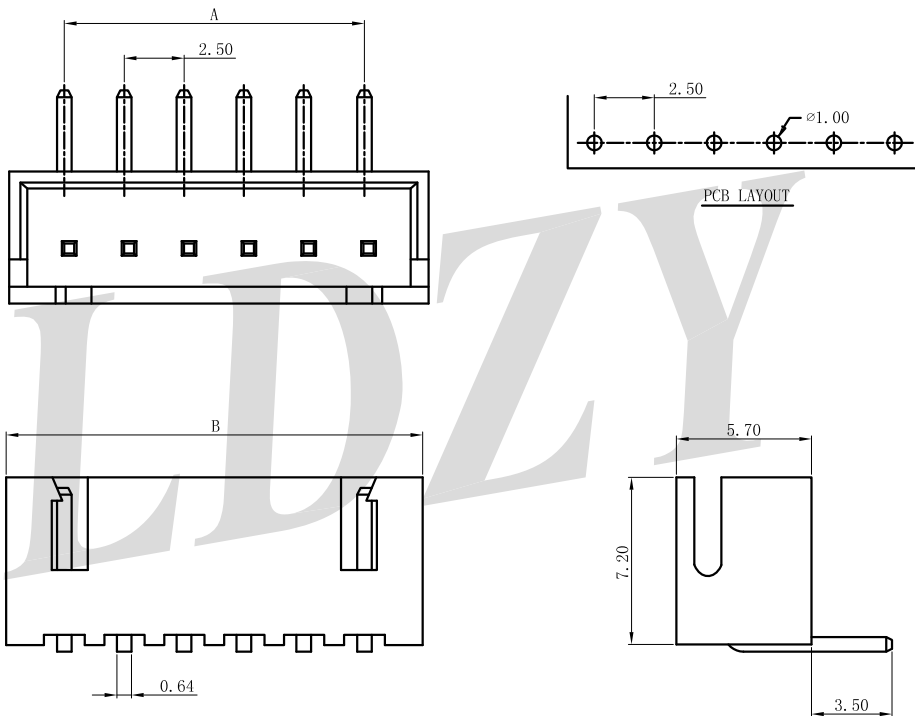
- \*Material: PIN: Brass/Tin-plated  
Wafer: PA66,UL94V-0 / Natrual
  - \*Suitable LDZY A2501 series Housing
- Ordering Information & Dimensions**



Poles	Dimensions (mm)	
	A	B
02	2.50	7.50
03	5.00	10.00
04	7.50	12.50
05	10.00	15.00
06	12.50	17.50
07	15.00	20.00
08	17.50	22.50
09	20.00	25.00
10	22.50	27.50
11	25.00	30.00
12	27.50	32.50
13	30.00	35.00
14	32.50	37.50
15	35.00	40.00
16	37.50	42.50
17	40.00	45.00
18	42.50	47.50
19	45.00	50.00
20	47.50	52.50

## A2501WR-NP-N0NAT

2.50mm Pitch 90° Single Row Wafer



Reference Informations:

\*Material:

PIN: Brass/Tin-plated

Wafer: PA66,UL94V-0 / Natrual

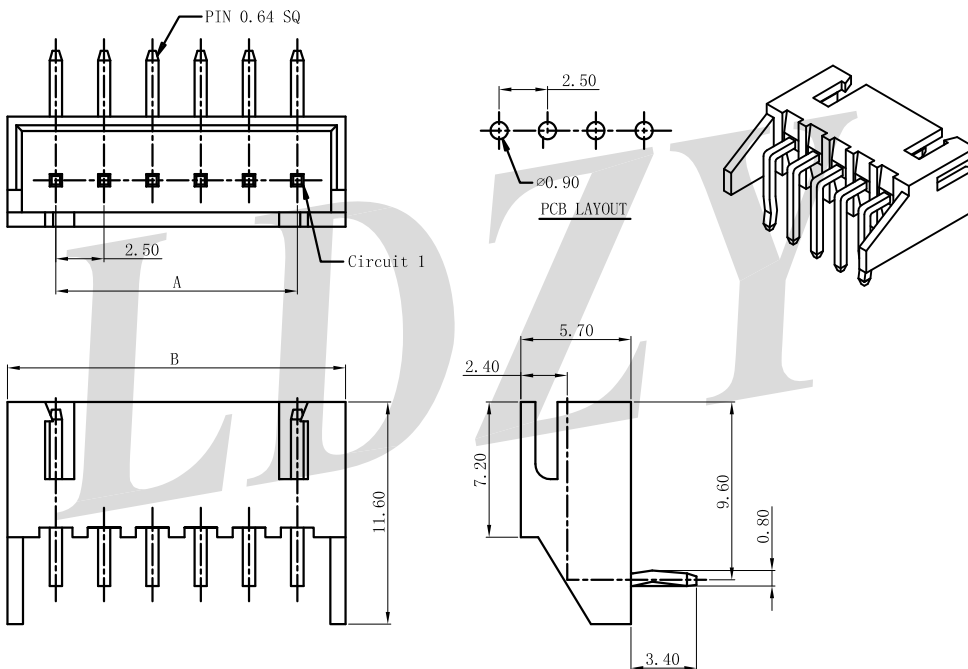
\*Suitable LDZY A2501 series Housing

Ordering Information & Dimensions

Poles	Dimensions (mm)	
	A	B
02	2.50	7.50
03	5.00	10.00
04	7.50	12.50
05	10.00	15.00
06	12.50	17.50
07	15.00	20.00
08	17.50	22.50
09	20.00	25.00
10	22.50	27.50
11	25.00	30.00
12	27.50	32.50
13	30.00	35.00
14	32.50	37.50
15	35.00	40.00
16	37.50	42.50
17	40.00	45.00
18	42.50	47.50
19	45.00	50.00
20	47.50	52.50

## A2501WRF-NP-N0NAT

2.50mm Pitch 90° Single Row Wafer



Reference Informations:

\*Material:

PIN: Brass/Tin-plated

Wafer: PA66,UL94V-0 / Natrual

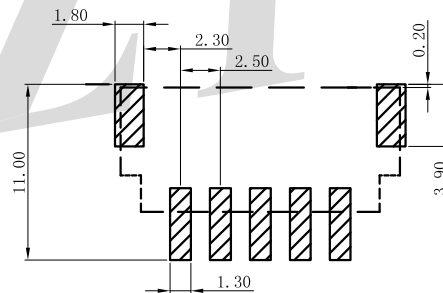
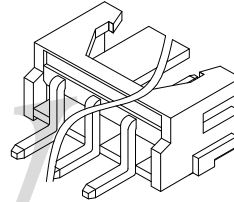
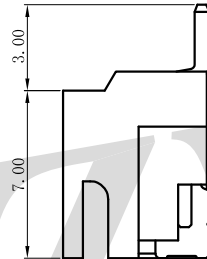
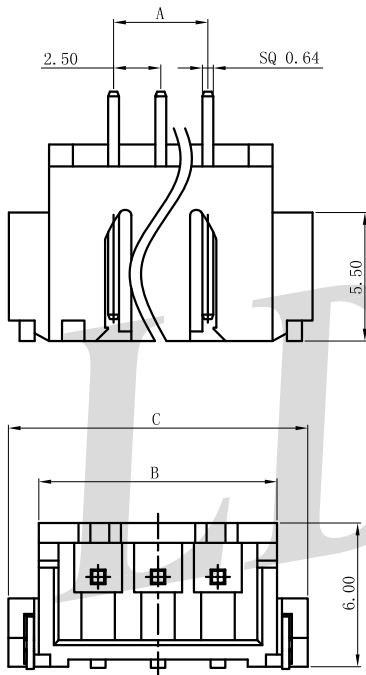
\*Suitable LDZY A2501 series Housing

Ordering Information & Dimensions

Poles	Dimensions (mm)	
	A	B
02	2.50	7.50
03	5.00	10.00
04	7.50	12.50
05	10.00	15.00
06	12.50	17.50
07	15.00	20.00
08	17.50	22.50
09	20.00	25.00
10	22.50	27.50
11	25.00	30.00
12	27.50	32.50
13	30.00	35.00
14	32.50	37.50
15	35.00	40.00
16	37.50	42.50
17	40.00	45.00
18	42.50	47.50
19	45.00	50.00
20	47.50	52.50

## A2501WRS-NP-9TNAT

2.50mm Pitch 90° SMT Single Row Wafer



PCB LAYOUT

Reference Informations:

\*Material:

PIN: Brass/Tin-plated

Solder Tabs: Brass/Tin-plated

Wafer: PA9T,UL94V-0 / Natrual

\*Suitable LDZY A2501 series Housing

Ordering Information & Dimensions

Poles	Dimensions (mm)		
	A	B	C
02	2.50	7.50	10.00
03	5.00	10.00	12.50
04	7.50	12.50	15.00
05	10.00	15.00	17.50
06	12.50	17.50	20.00
07	15.00	20.00	22.50
08	17.50	22.50	25.00
09	20.00	25.00	27.50
10	22.50	27.50	30.00
11	25.00	30.00	32.50
12	27.50	32.50	35.00
13	30.00	35.00	37.50
14	32.50	37.50	40.00
15	35.00	40.00	42.50
16	37.50	42.50	45.00