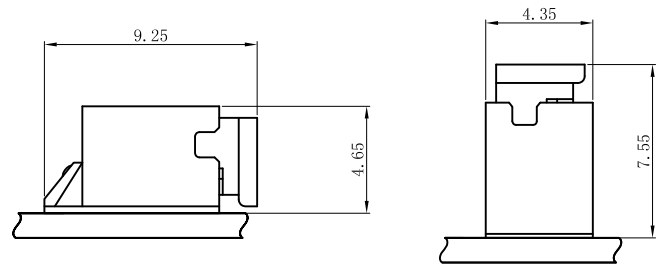
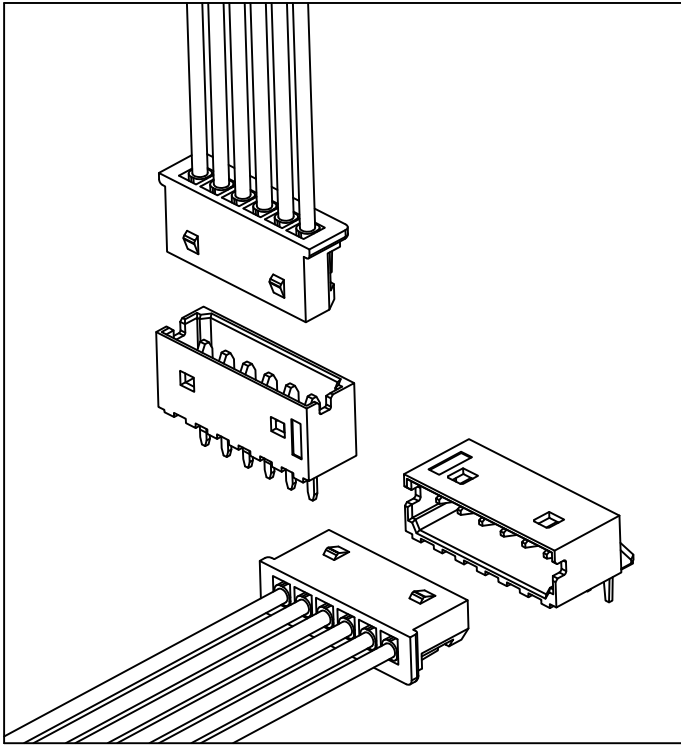


SPECIFICATIONS:

Voltage Rating: 125V AC/DC
 Current Rating: 2A AC/DC
 Withstanding Voltage: 800V AC/Minute
 Temperature Range: -25°C~+85°C
 Insulation Resistance: 1000MΩ Min.
 Contact Resistance: 20mΩ Max.
 Applicable Wire Range: AWG#24~30.

Assembly Layout:



A2002H-NP-N0NA

2.00mm Pitch Single Row Housing

Reference Informations:

*Material:

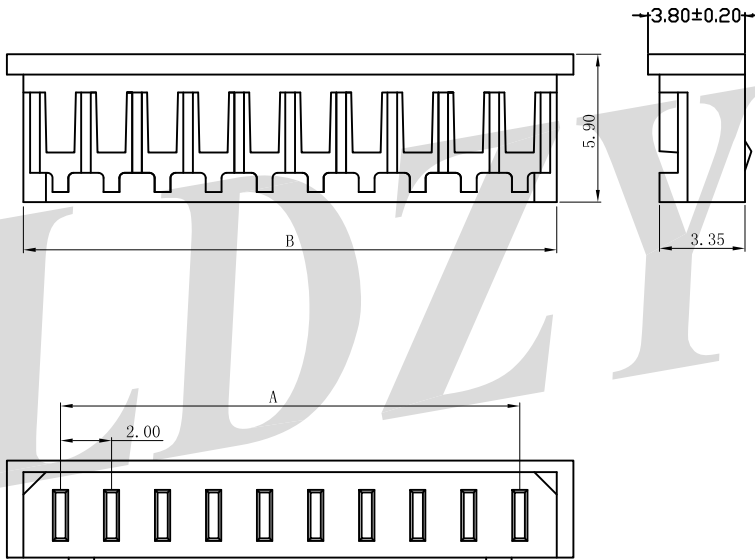
Housing: PA66 UL94V-0/Natural

*Suitable LDZY A2002 series Terminal

*Mates with LDZY A2002 series Wafer

Ordering Information & Dimensions

Poles	Dimensions (mm)		Poles	Dimensions (mm)	
	A	B		A	B
02	2.00	5.00	16	30.00	33.00
03	4.00	7.00	17	32.00	35.00
04	6.00	9.00	18	34.00	37.00
05	8.00	11.00	19	36.00	39.00
06	10.00	13.00	20	38.00	41.00
07	12.00	15.00			
08	14.00	17.00			
09	16.00	19.00			
10	18.00	21.00			
11	20.00	23.00			
12	22.00	25.00			
13	24.00	27.00			
14	26.00	29.00			
15	28.00	31.00			

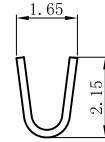
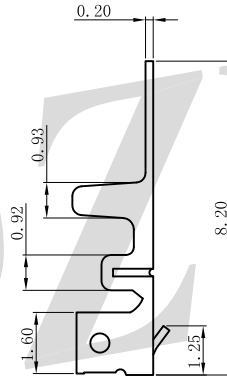
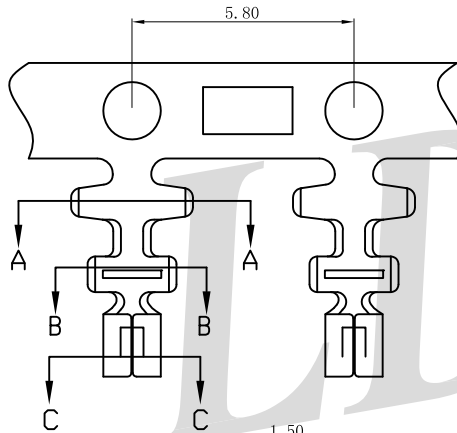


A2002TF-PT1

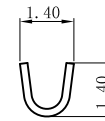
2.00mm Pitch Terminal

Reference Informations:

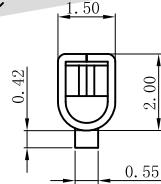
- *Material: Phosphor Bronze/Tin-plated
- *Mates with LDZY A2002 series Housing



SEC A-A



SEC B-B



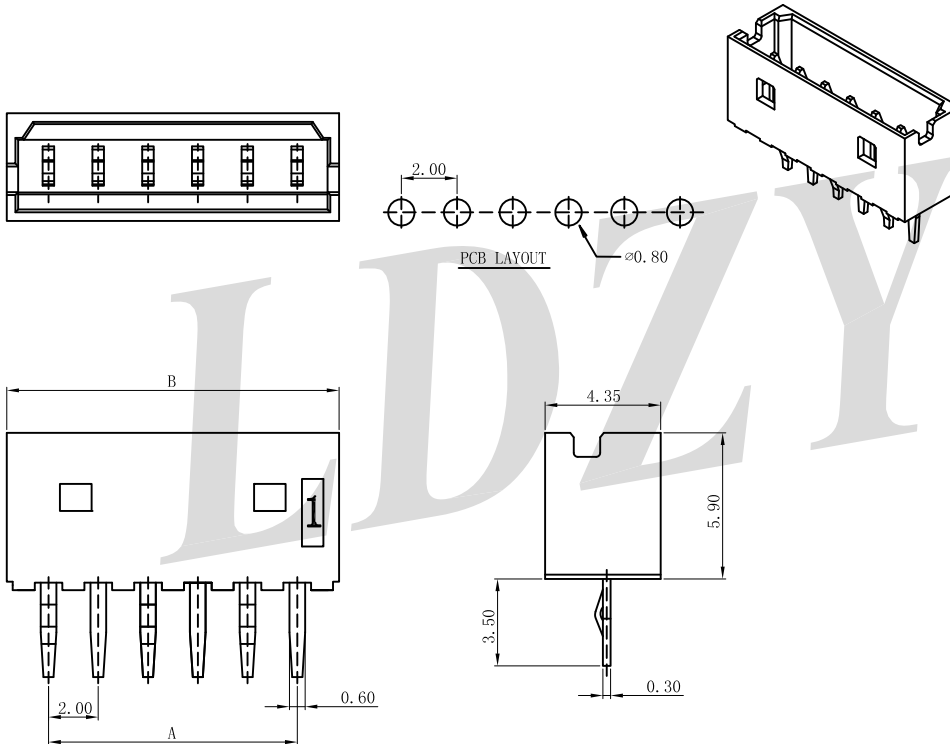
SEC C-C

Ordering Information & Specifications

Part No	Wire Range	Insulation O.D.	Material	Finish	Qty/reel
A2002TF-PT1	AWG#24-#30	1.50mm(max)	Phosphor Bronze	Tin-plated	10,000pcs

A2002WV-NP-N0NAT

2.00mm Pitch 180° Single Row Wafer



Reference Informations:

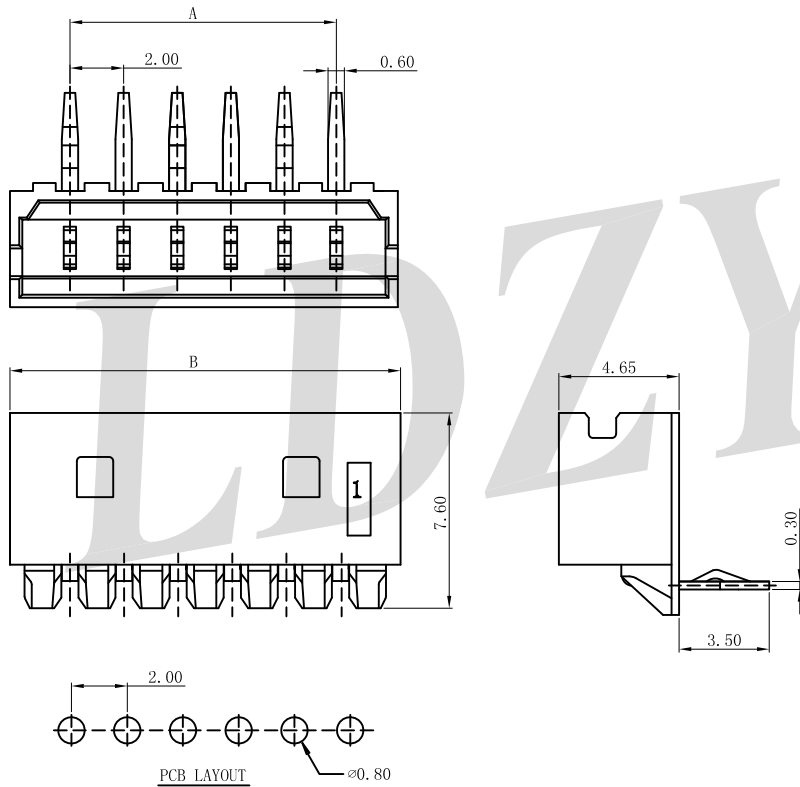
- *Material:
 - PIN: Brass/Tin-plated
 - Wafer: PA66,UL94V-0 / Natrual
- *Suitable LDZY A2002 series Housing

Ordering Information & Dimensions

Poles	Dimensions (mm)	
	A	B
02	2.00	6.00
03	4.00	8.00
04	6.00	10.00
05	8.00	12.00
06	10.00	14.00
07	12.00	16.00
08	14.00	18.00
09	16.00	20.00
10	18.00	22.00
11	20.00	24.00
12	22.00	26.00
13	24.00	28.00
14	26.00	30.00
15	28.00	32.00

A2002WR-NP-N0NAT

2.00mm Pitch 90° Single Row Wafer



Reference Informations:

*Material:

PIN: Brass/Tin-plated

Wafer: PA66,UL94V-0 / Natrual

*Suitable LDZY A2002 series Housing

Ordering Information & Dimensions

Poles	Dimensions (mm)	
	A	B
02	2.00	6.00
03	4.00	8.00
04	6.00	10.00
05	8.00	12.00
06	10.00	14.00
07	12.00	16.00
08	14.00	18.00
09	16.00	20.00
10	18.00	22.00
11	20.00	24.00
12	22.00	26.00
13	24.00	28.00
14	26.00	30.00
15	28.00	32.00